



SL180LED

Minor surgical light



DARAY[®]
Medical

www.daray.com

Tel: 0800 804 8384 Email: info@daray.co.uk

SL180LED

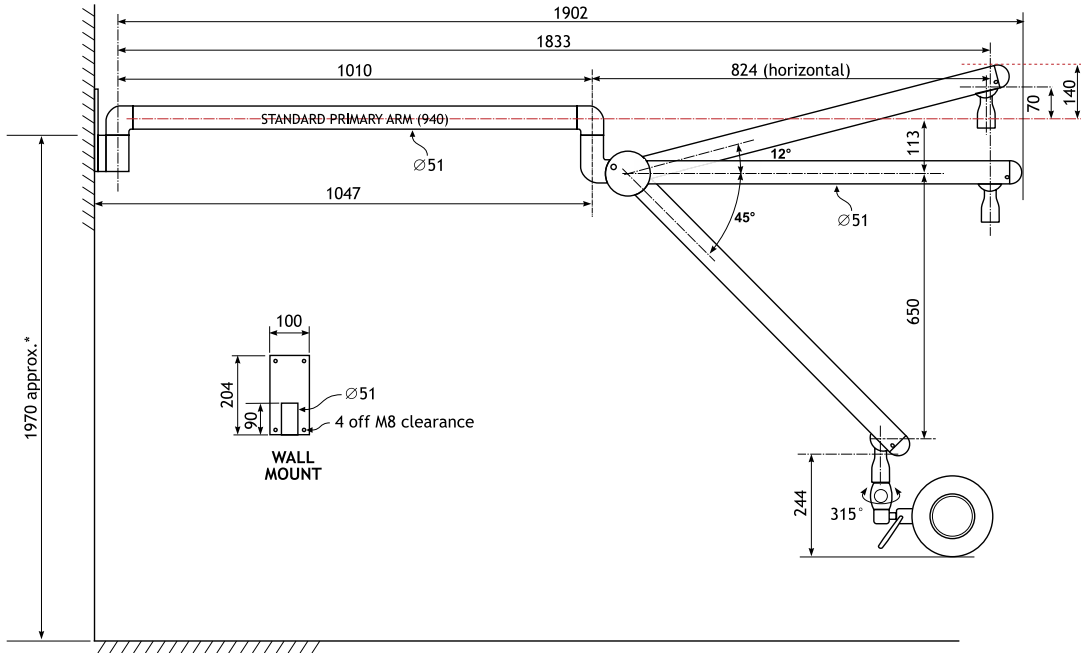


DARAY[®]
Medical

www.daray.com

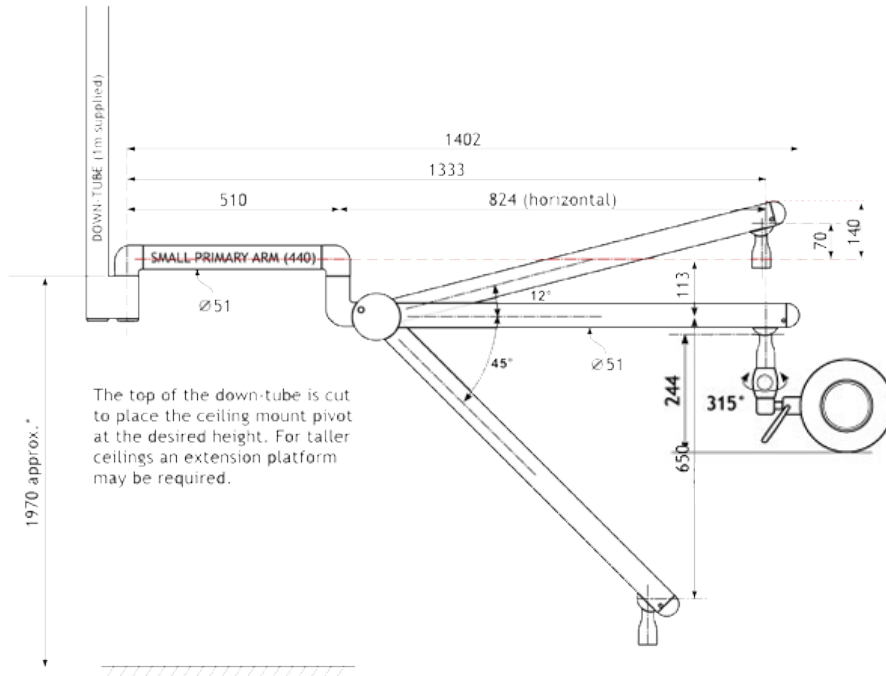
Tel: 0800 804 8384 Email: info@daray.co.uk

Specifications



*Dimension suggestion. For specific applications or environments, the mounting bracket should be installed at a height so that, when fitted, the light-head is as near to the required position as possible.

SL180LED wall mount



*Dimension suggestion. For specific applications or environments, the mounting bracket should be installed at a height so that, when fitted, the light-head is as near to the required position as possible.

SL180LED mini ceiling mount

The SL180LED minor surgical light



Spring
balanced



Ceiling mount



Flexible
gooseneck



NviroLED
technology



Mobile mount



Variable
intensity



Daylight colour
temperature



Features

- Variable Intensity from 0% to 100%.
- Excellent colour rendering - totally natural skin tones.
- Emits no infrared radiation - no increase in temperature in the light-field.
- A strong beam of light with an even intensity across the entire area for clearer viewing and reduced eye strain.
- Battery back up options available.



SL180LEDW
(wall mounted)

- Lowest 'total cost of ownership' minor surgical light
- Cost up to 75% less to run than halogen equivalent
- 4,200K colour temperature
- 50,000 lux @ 0.75m (normal working distance)
- 35,000 lux @ 1m
- Variable intensity
- Various mounting options available
- Easy to use controls
- Smooth fully enclosed head
- BioProtect® anti-microbial surfaces
- Battery backup available



fect®
ainst bacteria



SL180LEDC (Ceiling mounted)



SL180LEDM
(Spring balanced mobile)



SL180LEDFM
(Flexible mobile)

Ideal for

Gynaecology

Day surgery

A&E department

Dental implants

Maxiofacial

Podiatry

Dermatology

Mortuary

GP treatment rooms

And many more ...

SL180LED

Environmentally friendly lighting without compromise



LEDs (light emitting diodes) have been around for a long time. Recently this technology has become leading-edge in the field of lighting - a breakthrough technological solution to the inherent problems of the incandescent light bulb. We have taken the technology and developed it further to provide high definition lighting solutions with no infrared, low environmental impact, low power consumption, no toxic chemicals and a long operating life.



- NviroLED has an intense clear white light beam equivalent to 100W halogen whilst consuming only 17W.
- 50,000 hours of life from the LED light engine – that's over 25 years of normal clinical use.
- No more bulbs to change - reduces waste by 95% over the light's lifetime.
- No halogen, mercury, cadmium, lead or CFCs. No chemicals harmful to the environment.
- Our lights are not only hard-wearing but can be fully recycled when the light comes to the end of its life.

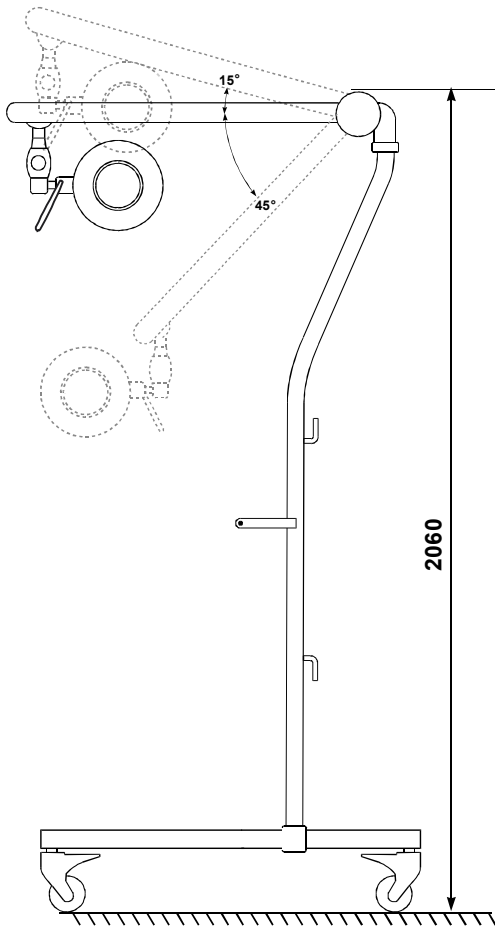


DARAY[®]
Medical

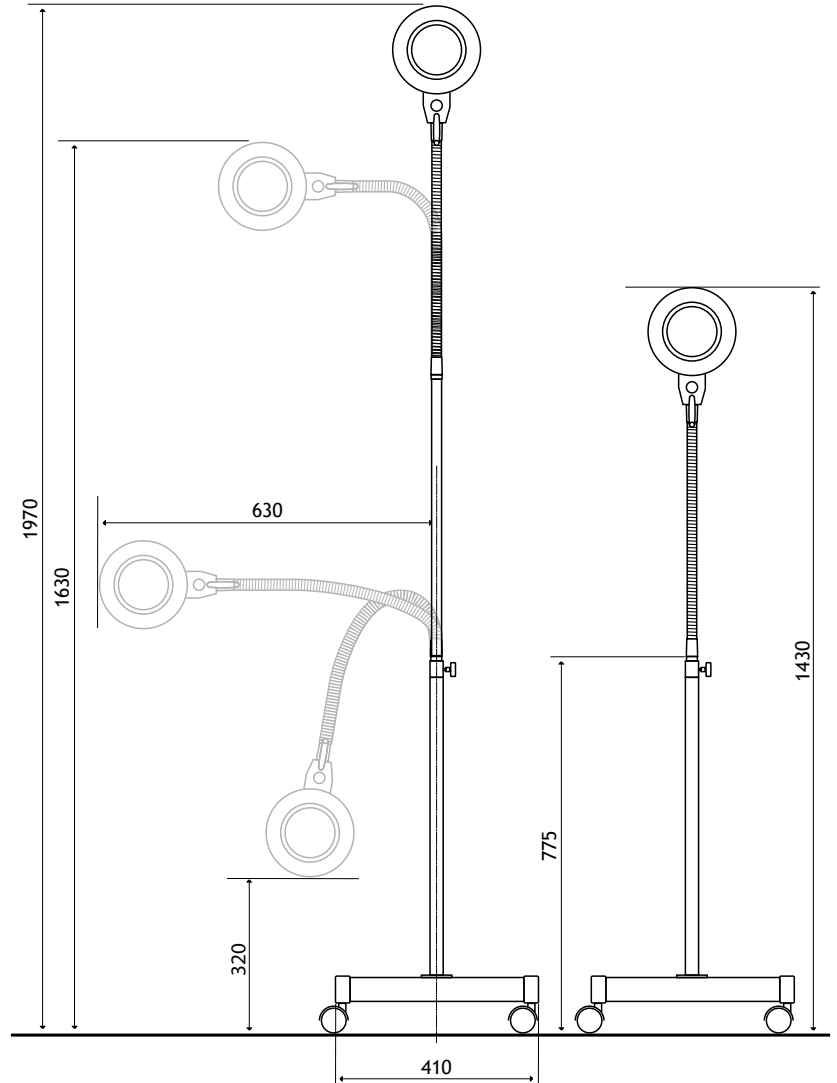
www.daray.com

Tel: 0800 804 8384 Email: info@daray.co.uk

SL180LED



SL180LEDM (Spring balanced mobile)



SL180LEDM (Flexible mobile)

Specifications

LED life	<50,000 hours
Light intensity	50,000 lux @ 0.75m (normal working distance)
Colour rendering	$R_a = 96$
Power requirement	30W
Power supply	230V 50Hz
Colour temperature	4,200K $\pm 5\%$
Light Source	24V LED module (12 LED)
Shock protection	II

SL180LED



ABOUT DARAY

DARAY have been established in the medical, dental and veterinary markets since 1968 building exceptional and durable products.

We shall continue to innovate; aiming to excel in our endeavours to deliver reliable solutions.



DARAY minor surgical lights are compliant with ISO 9001 and ISO 13485 quality systems and meet the following directives; BS EN 60601-2-41, IEC:2000, UL60601-1 and CAN/CSA-C22.2 No. 601.1-M-90. All of our products are CE marked which complies to EU safety legislation.

DARAY[®]
Medical

www.daray.com

Tel: 0800 804 8384 Email: info@daray.co.uk