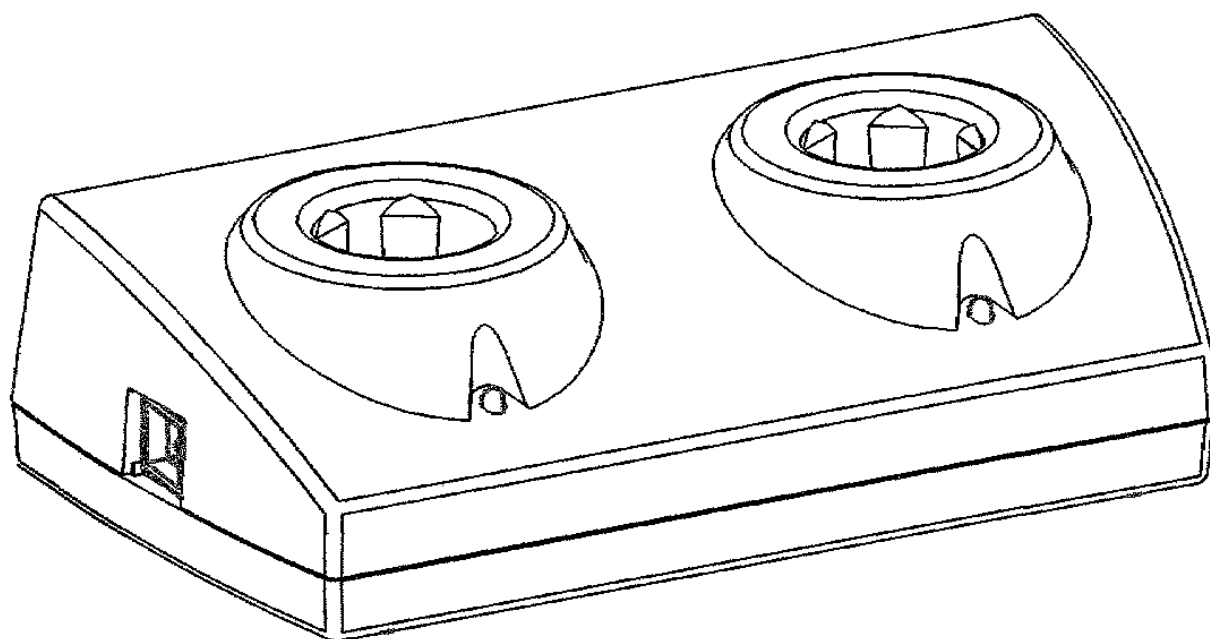


LITHIUM DOUBLE CHARGER 1941-P-1368
LITHIUM MINI CHARGER 1941-P-1341



PLEASE READ AND FOLLOW THESE INSTRUCTIONS CAREFULLY



Keeler Lithium Chargers & Handles

Carefully read this Instruction Section before using your Keeler product. For your own safety and that of your customers observe all cautionary information provided in this section. The following information is intended to highlight potential safety hazards that can be associated with misuse, or damage.

Warning



This product must not be used in the presence of flammable gases.

Do not disassemble or modify the battery. There are no serviceable parts inside.

Do not dispose of battery in fire, Do not puncture.

Do not use a battery that is deformed, leaking, corroded or visually damaged.

If the product emits a strange odour, heat, or smoke, stop use and disconnect from mains. The continued use of a damaged product or part may cause injuries.

Do not immerse the unit in any liquid

Do not use unit if damaged and periodically visually inspect for signs of damage.

Only Keeler Lithium handles i.e. with a red base can be used in the Keeler Lithium Charger. Do not try to insert a Keeler handle with a blue base into the Keeler Lithium Chargers. Refer to Keeler handle and bulb identification.

Caution

Remove dry cell batteries before prolonged periods of storage.

Use only Keeler rechargeable battery Pt. Nos. EP39 18918

Charge only using Keeler chargers Pt. Nos 1941-P-5289, Double Charger 1941-P-5326, Mini Charger

Do not mix battery types.

Do not charge battery in any environment where the temperature may exceed 40°C or fall below 0°C.

Keep out of reach of children.

Do not fit into damaged electrical supply outlet.

For indoor use only (protect from moisture)

To prevent condensation from forming, allow instrument to come to room temperature before use.

When connecting instrument heads to handles check that voltage of the bulb in the instrument corresponds with the voltage of the handle.

Always ensure that the handle rheostat is turned off before fitting an instrument head or changing a bulb.

If a short circuit occurs, reactivate the battery by placing the handle in the charger until the LED flashes.

This is a built in protection device to protect the battery from damage.

Ensure that the control is in the off position when the examination has been completed.

When replacing Lithium cell, turn handle off and insert new cell. Replace bottom cap, and place handle into charging well.

Environmental

Dispose of battery in line with local regulations on recycling of batteries.

Tape over battery contacts to avoid short circuiting during disposal.

Li-ion batteries contain no toxic heavy metals, such as mercury, cadmium or lead.

Keeler Handle & Bulb Identification

Keeler handles & bulbs are colour coded to allow you to distinguish between a dry cell battery handle (2.8V) and a lithium handle (3.6v). The handles are colour coded as follows:

Blue Base = 2.8v for dry cell batteries

Red Base = 3.6v for Lithium batteries

Please ensure when replacing bulbs that the voltage corresponds to the handle voltage.

Inserting/Replacing Batteries

Unscrew battery cap, insert batteries and replace battery cap as shown in Fig 1.

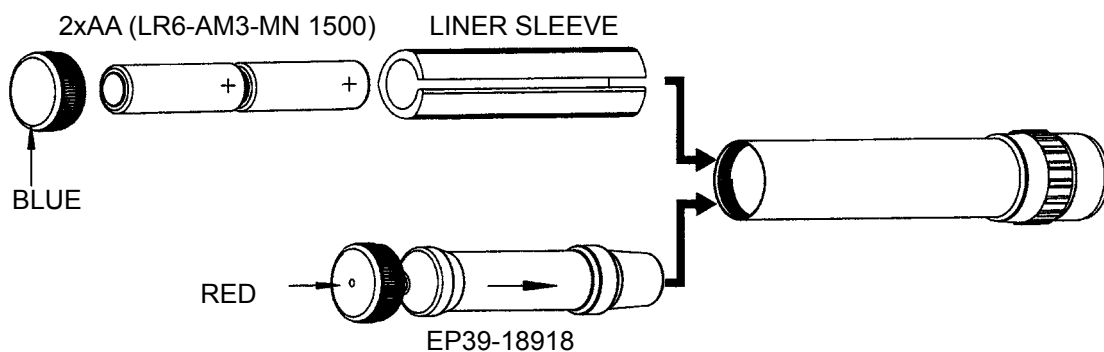


Fig. 1

Charging

Replace the blanking plate with the appropriate mains plug adapter, or use IEC 60320 TYPE 7 connector (not supplied) See Fig 2.

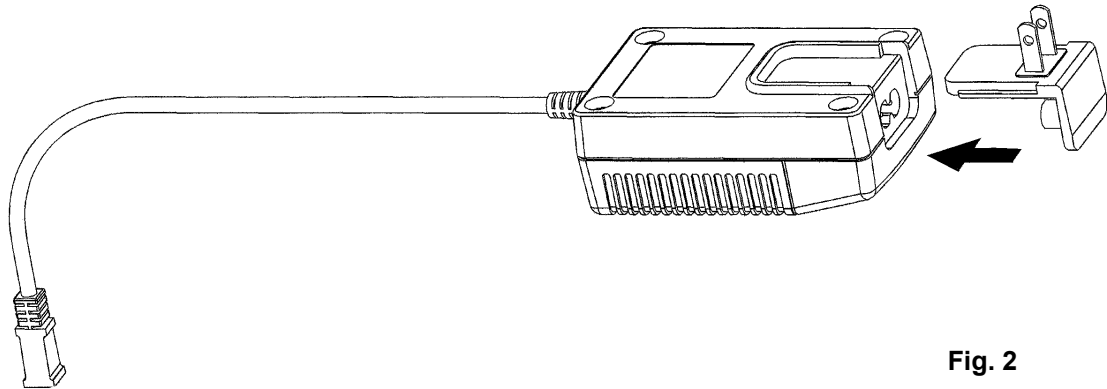


Fig. 2

Switch on your Lithium Charger by plugging it into a mains outlet. Place your handle in your Lithium charger as shown in Fig 3.

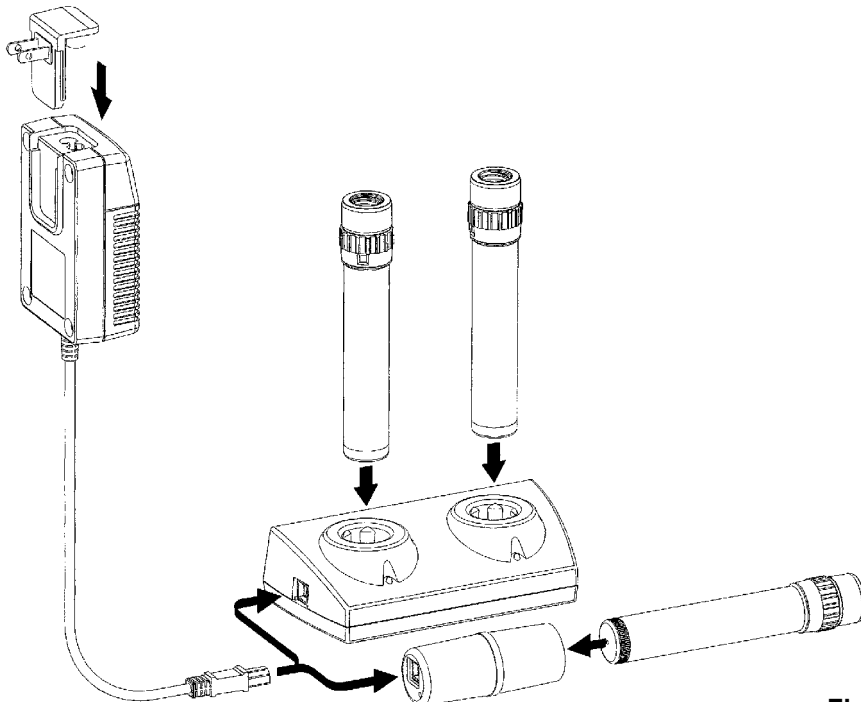


Fig. 3

No LED Battery is fully charged

Flashing LED Top up charge

Solid LED Battery is charging

The handle can be used at any time during the charging cycle and will automatically resume charging when handle is placed back in the charging well.

When using the Mini charger the handle can be left in place during use.

Charging Cycle - Fig 4

The battery will take approximately 2-3 hours to fully charge
The battery will last approximately 2-3 hours on full power.

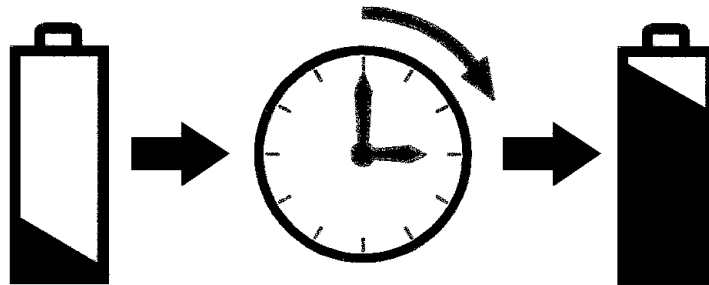


Fig. 4

Warranty & Service

No user serviceable parts - all preventative maintenance and servicing must only be performed by authorised Keeler representatives.

Your Keeler Charger is guaranteed for 3 years and will be replaced or repaired free of charge subject to the following:

1. Any fault is due to faulty manufacture
2. The power supply has been used in compliance with these instructions
3. Proof of purchase accompanies any claim.

Technical Information

Input data see name plate:	120-240V - 50/60Hz
Power Consumption:	2.5 Amps
Charging Current:	1 Amp
Operation:	Continuous
Classification:	Class II equipment Type B Protection against electric shock
Safety Class:	Double insulated
Ambient Temperature:	+10°C to +35°C
Transportation:	-40°C to +70°C 10% to 95% RH

This equipment may be affected by electromagnetic interference. Other electrical equipment in the close vicinity may also be affected by the Lithium Double/Mini Charger. If such effects are suspected, either switch off the offending equipment or shorten the connecting leads.

Cleaning Instructions

Only manual non-immersion cleaning as described below should be used for the instrument:

1. Wipe the external surface with a clean absorbent, non shedding cloth dampened with a water / detergent solution (2% by volume) or water / isopropyl alcohol solution (70% by volume).
2. Ensure that excess solution does not enter the instrument. Use caution to ensure cloth is not saturated with solution.
3. Surfaces should be carefully hand-dried using a clean non-shedding cloth.
4. Safely dispose of used cleaning materials.

MANUFACTURED IN THE UK BY:

Keeler Limited

Clewer Hill Road

Windsor

Berkshire SL4 4AA

England

Tel: +44 (0)1753 857177

Fax: +44 (0)1753 827145

FREEPHONE: 0800 521 251

Distributed by:

Keeler Instruments Inc

456 Parkway

Broomall

PA 19008, USA

Toll Free: 1 800 523 5620

Tel: 610 353 4350

Fax: 610 353 7814



The CE mark on this
product indicates it has
been tested to and
conforms with the
provisions noted within
the 93/42/eeec Medical
Device Directive.

— A —
HALMA GROUP
C O M P A N Y



Distributor

EP59 - 11138 Issue C